

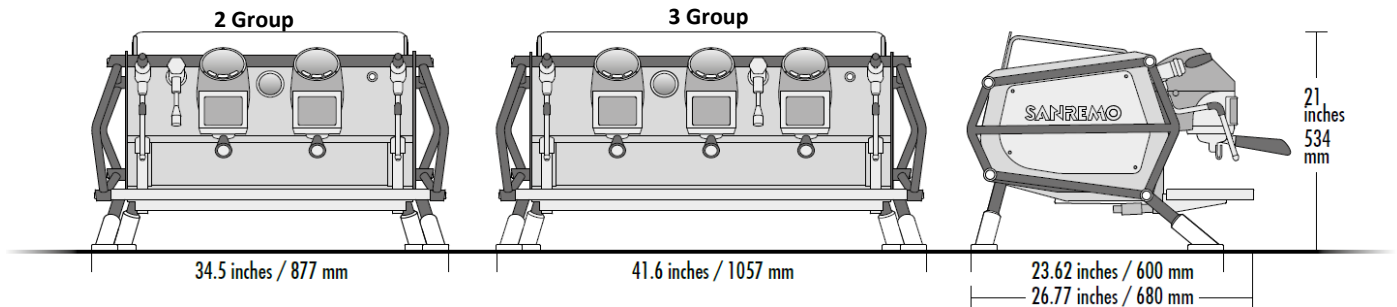


Sanremo Café Racer Installation & Quick Start Guide

Disclaimer: Installation must be performed by professional technician. Improper installation can void warranty, permanently damage equipment and/or present burn & electrical hazard to installer/user. Consult with local municipality for official electrical and plumbing codes/guidelines.

Consult user manual for expanded installation, operation, and safety guidelines.

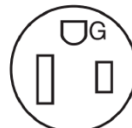

Dimensions



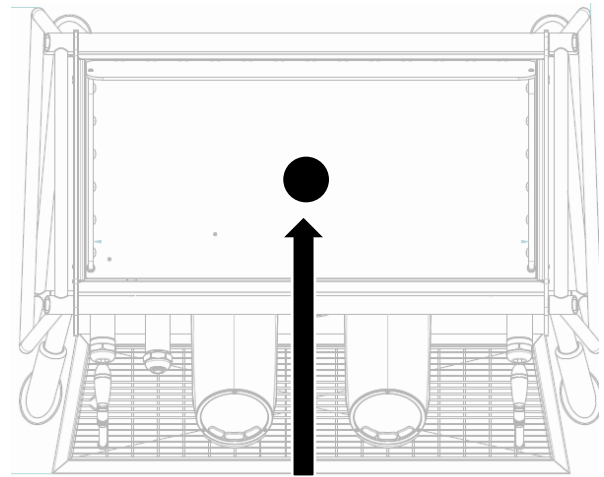
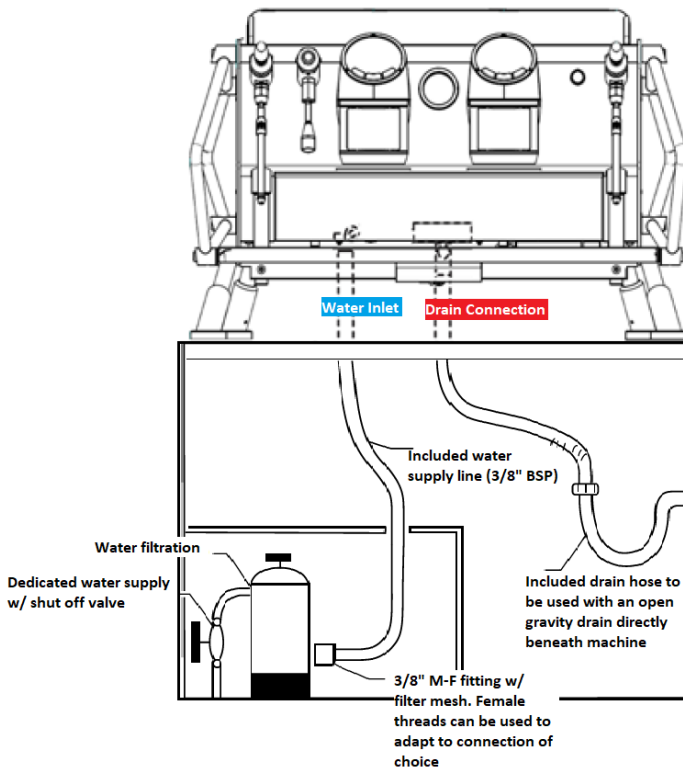
Water Requirements

<ul style="list-style-type: none"> • Dedicated cold water line with shut-off valve • Minimum incoming line pressure of 29 PSI / 2 BAR and max line pressure of 65 PSI / 4.5 BAR 	
Total Dissolved Solids (TDS):	30-150 ppm
Total Hardness:	Below 85 ppm
pH:	6.5-8
Chlorides:	5-15 ppm *Any presence of Chlorides can cause corrosion*
Total Alkalinity:	35-75 ppm
Total Chlorine:	0 ppm
Iron:	0 ppm
<p>Water levels outside of these parameters can void warranty. Consult with a water filtration professional for water testing and recommended systems.</p>	

Electrical Requirements

2 Group	3 Group	Receptacle & Plug Configuration
<ul style="list-style-type: none"> • Volts: 220 (voltage range of 208-240) 60Hz • Single phase / 3 wire (2 hot + 1 ground) • Watts: 3500 - 6900 (Ships @ 6500W) • Amp draw: Min: 15A Max: 29A (Ships @ 27A) • Receptacle / plug: NEMA 6-50 • Plug included 	<ul style="list-style-type: none"> • Volts: 220 (voltage range of 208-240) 60Hz • Single phase / 3 wire (2 hot + 1 ground) • Watts: 3500 - 8100 (Ships @ 6500W) • Amp draw: Min: 15A Max: 34A (Ships @ 27A) • Receptacle / plug: NEMA 6-50 • Plug included 	<div style="display: flex; justify-content: space-around; align-items: center;"> <div style="text-align: center;">  <p>6-50R</p> </div> <div style="text-align: center;">  <p>6-50P</p> </div> </div>

Connection & Counter Hole Diagrams



3" hole in counter recommended for passage of electrical cord & water/drain lines.

Counter hole placement recommended to be center of machine and 17" inward from edge of the drip tray.

First Start Procedure

Confirm the steam boiler has auto filled sufficiently and has not timed out by referencing the center water level display section of the pressure gauge:



Steam Boiler Water Level Low



Steam Boiler Water Level Filling



Steam Boiler Water Level Filled

If machine has timed out, cycle machine off/on and allow to auto fill. If machine is still timing out, shut machine down and re-check the inlet water line / filtration system and confirm water flow to machine.

When the machine has successfully auto filled the steam boiler, turn on all groups and confirm water flow. Turn groups off and perform the first air purge of the hydraulic circuit whilst the machine is cold.

Air Purge Procedure



Press and hold the air purge button for 10 seconds or until air can no longer be heard purging the circuit

Once the machine has reached operating temperature, perform second purge & group purge

- Repeat general circuit purge procedure (Press and hold purge button without any groups running)
- After completing the first step, insert a blind basket equipped portafilter into the left most group and select the continuous button. Once the ML's stop rising on the display, press and hold the purge button whilst the group is running. Hold this down for 3-5 seconds, release and turn off the group.
- Repeat for the remaining groups.

If the pump is delaying to engage when the group(s) are in use, re-perform the purge procedure until all air is purged from the hydraulic circuit. Locations with less than 2 bar incoming water line pressure may need to repeat this process.

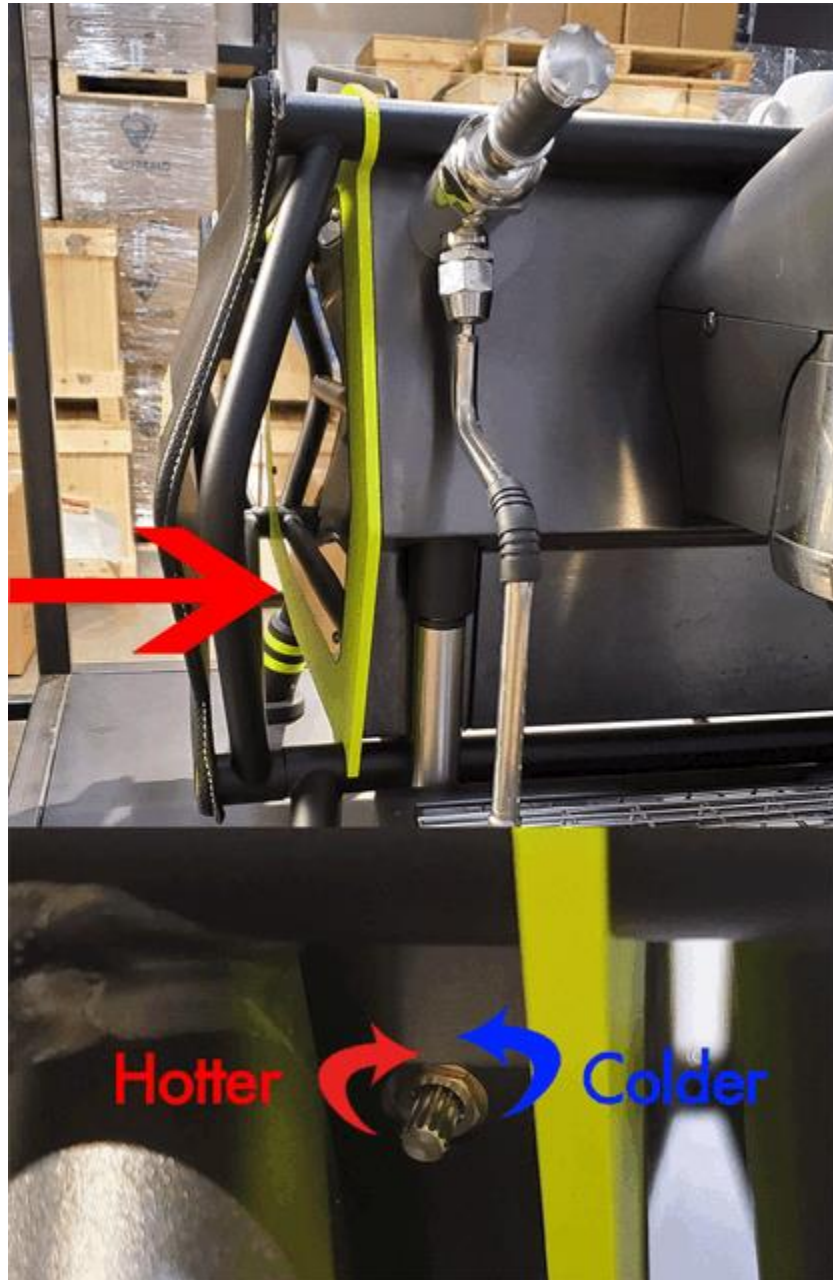
Pump adjustment

- Prepare a portafilter with coffee at the desired dose/grind calibration and insert into the group.
- Turn group on by selecting the continuous (center) button, locate the pump adjustment knob and set your desired pump pressure WHILST the group is extracting the coffee.



Push knob up and turn counterclockwise (left) to decrease extraction pressure and clockwise (right) to increase extraction pressure

Adjusting water mix for hot water (tea) tap



(Continue to next page for group programming)

To program / adjust each group, press and hold continuous button and press hot water tap button



Short dose button= decrease value | Continuous button = move to next parameter | Long dose button = increase value



Group Temperature



Cup Tray Warmer



Cup Tray Warmer Temp



Group Pre-infusion



Short Dose Pre-infusion time



Long Dose Pre-infusion time



Short Dose Dispensing Volume



Long Dose Dispensing Volume

Note that parameters do not copy and paste to other groups. Each group must be set independently. For traditional volumetric programming which transfers recipes to all groups, please refer to user manual.

Individual Group Cleaning Mode



For complete (all group) cleaning mode, please refer to user manual



Warranty Terms and Conditions
***** Submit at time of installation *****

Client Name		Date	
Machine Model		Machine Serial N°	

N° of Groups	Supply Voltage	Location Address / Type	Install Date	Installed By

Water Quality Report (Before & After Filtration)

TDS:		ppm
Total Hardness:		ppm
pH:		
Chlorides:		ppm
Total Alkalinity:		ppm
Total Chlorine:		ppm
Iron:		ppm

TDS:		ppm
Total Hardness:		ppm
pH:		
Chlorides:		ppm
Total Alkalinity:		ppm
Total Chlorine:		ppm
Iron:		ppm

Water Filtration Make / Model / Details (Please Send Photos of Installation and Filtration Setup)

Terms & Conditions

SANREMO Srl guarantees that the machines and the components supplied are free from defective material and / or workmanship for a period of twelve (12) months from invoice date.

The warranty does not cover any faults or malfunctions due to normal wear and tear, inappropriate use and / or use not in accordance with normal operation, the use of non-original spare parts and non-compliance with what is indicated in the use and maintenance manual delivered together with the machine, accidental events, unauthorized modifications or adaptations, tampering, anomalies caused by electrical and hydraulic systems or inadequate water filtering and insects infestation.

In the case a failure is found; labor, diagnosis fees, travel fees are not included in the warranty, nor are freight costs in cases of shipping.

During the warranty period, all parts that are deemed defective based on the judgment of SANREMO TSD (Technical Service Department) will be replaced.

SANREMO Srl has the right to make changes to its products at any time necessary for technical and / or aesthetic reasons, reserving all rights deriving from these changes.

Consult with Sanremo TSD prior to performing any warranty repairs.

Recommended Water Specifications

- Dedicated cold water line with shut-off valve
- Minimum incoming line pressure of 29 PSI / 2 BAR and max line pressure of 65 PSI / 4.5 BAR

Total Dissolved Solids (TDS):	30-150 ppm
Total Hardness:	Below 85 ppm
pH:	6.5-8
Chlorides:	5-15 ppm
<small>*Any presence of Chlorides can cause corrosion*</small>	
Total Alkalinity:	35-75 ppm
Total Chlorine:	0 ppm
Iron:	0 ppm

Water levels outside of these parameters can void warranty. Consult with a water filtration professional for water testing and recommended systems.

E-mail Form and supporting media to tech@sanremous.com

I have read and acknowledge the above

Client Name:		Client Signature:		Date:	
---------------------	--	--------------------------	--	--------------	--